

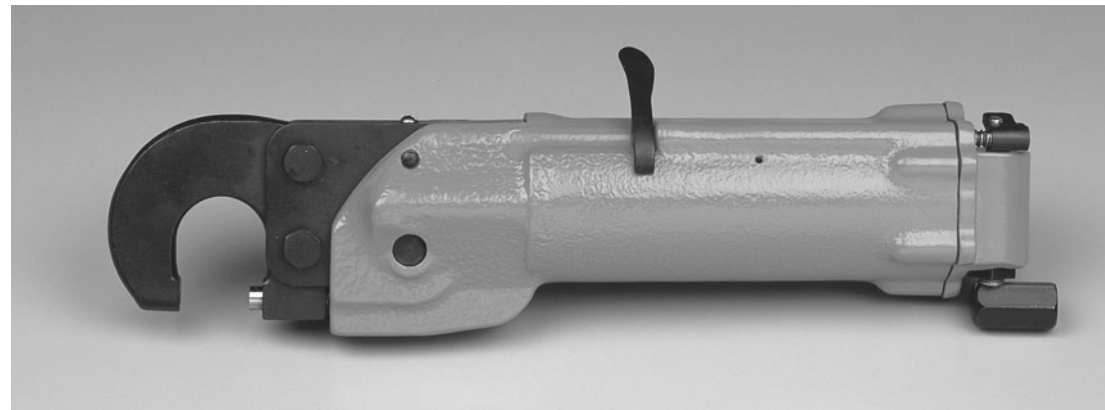
AEROSPACE

ULTRALITE™ COMPRESSION RIVETER

C-Yoke Model 720 HF

Standard Features

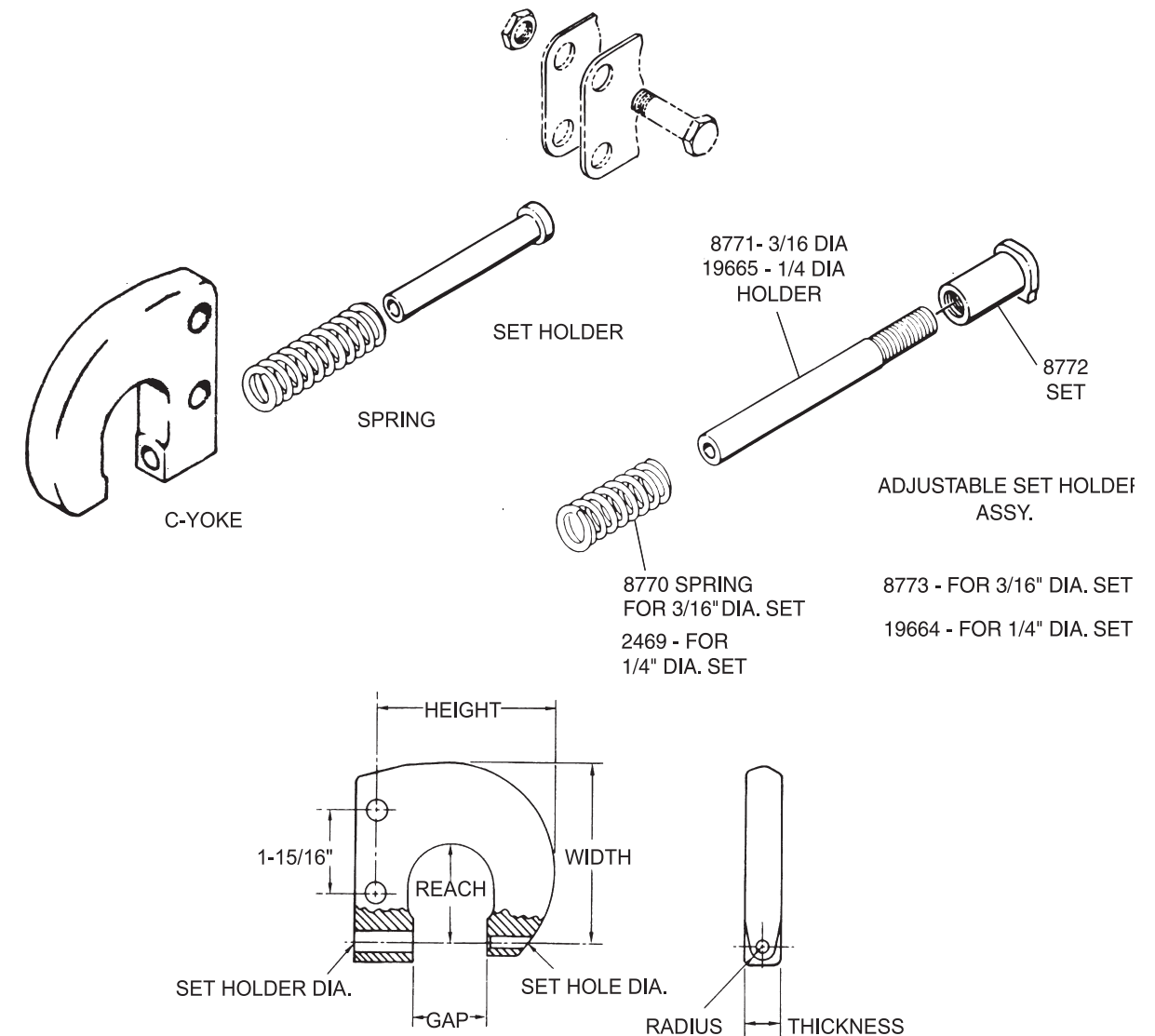
- Safety approved throttle lever
- Anodized aluminum housing
 - 90° elbow swivel air inlet
- Tool steel roller bearing and shaft
- Rivet capacity up to 1/4" aluminum and 3/16" steel
 - Additional configuration C-yokes available
 - Operate on 90 PSI air
 - Smooth controlled throttle movement
- Set holders available in 3/16" and 1/4" set holes
 - Adjustable type set holders are optional
 - Low cost replacement parts



Power Unit

MODEL NO.	ORDERING NO.	POWER UNIT ONLY		CAPACITY COLD RIVET		CLOSED HEIGHT		MAXIMUM TRAVEL		SET HOLDER PLUNGER POUNDS		PART OF STROKE AT MAX FORCE	NET WEIGHT WITH C-YOKE		OVERALL LENGTH		AIR INLET
		ALUMINUM	STEEL	in.	mm	in.	mm	in.	mm	in.	mm		in.	mm	in.	mm	
720	(5385)	3/16	4.8	5/32	4.0	11/16	17.5	9/16	14.3	6000	1/16	1.6	5-1/2	2.5	14	362	1/4 NPT
obsolete																	
720 HF	8522	1/4	6.4	3/16	4.8	11/16	17.5	9/16	14.3	9000	1/32	0.8	5-1/2	2.5	14	362	1/4 NPT
MINIMUM AIR PRESSURE: 90 PSI																	
MINIMUM HOSE SIZE: 1/4" DIA.																	

C-Yokes See adjacent page ▶



C-Yokes (dimensions in inches)

YOKE ASSY. NO.	REACH	GAP	WIDTH	HEIGHT	THICKNESS	RADIUS	SET HOLE SIZE	SET HOLDER	SPRING	ADJ. SET HOLDER
538	1-1/2	1-1/4	3	3-3/8	9/16	3/16	3/16	539	540	8773
958	2	1-1/4	3-9/16	3-11/16	9/16	7/32	3/16	539	540	8773
959	2-1/2	1-3/8	4-5/8	3-7/8	9/16	7/32	3/16	2406	540	8773
960	3	1-1/2	5-1/4	4-3/8	1	4-3/8	3/16	1352	540	8773
961	3-1/2	1-1/2	6-1/16	4-3/4	1	4-3/8	3/16	1352	540	8773
6336	1-1/2	1-1/4	3	3-3/8	9/16	3/16	1/4	1877	3054	19664
9562	2	1-1/4	3-9/16	3-11/16	9/16	3-11/16	1/4	1877	3054	19664
9561	2-1/2	1-3/8	4-5/8	3-7/8	9/16	3-7/8	1/4	2415	3054	19664
9563	3	1-1/2	5-1/4	4-3/8	1	4-3/8	1/4	2417	3054	19664
9564	3-1/2	1-1/2	6-1/16	4-3/4	1	4-3/4	1/4	2417	3054	19664

COMPRESSION RIVETER POWER UNIT - C-YOKE MODEL 720/720 HF

Item	Part No.	Description	5385		8522		Item	Part No.	Description	5385		8522	
			Qty.	Qty.	Qty.	Qty.				Qty.	Qty.		
005	925	Cylinder	1	1	160	467	Spring, compression	2	2				
010	795	Lever assy., valve, throttle	1	1	165	6835	Valve assy., throttle	1	1				
015	944	Lever, Arm	1	1	170	6298	. Valve, throttle	1	1				
020	901	. Lever, arm, throttle	1	1	175	566	. O-ring	1	1				
025	628	. Screw, fillister, slotted	1	1	180	3577	Spring, compression	1	1				
030	200	Spring	1	1	185	2436	Swivel, air inlet	1	1				
035	495	Guard, roller bearing	1	1	190	490	. Swivel assy., air inlet	1	1				
040	456	Screw, round hd machine	1	1	195	1585	.. Swivel, air inlet	1	1				
045	496	Spacer	1	1	200	491	.. O-ring	1	1				
050	536	Shaft, roller, bearing	1	1	205	6313	. O-ring	1	1				
055	537	Washer	1	1	210	489	. Nut, swivel, air inlet	1	1				
060	369	Screw, hex soc hd cap	1	1	215	552	. Elbow, 90 degree	1	1				
065	497	Pin, spacer	1	1	225	6341	Cylinder head assy.	1	1				
070	2130	Fork, shaft, piston	1	1	230	6350	. Bushing assy., throttle valve	1	1				
075	3122	Nut, stop, elastic	1	1	235	5183	.. O-ring	1	1				
080	2748	Washer	1	1	240	6309	.. Bushing, valve	1	1				
085	2131	Wedge	1		245	1607	. Cylinder head	1	1				
085	8419	Wedge		1	260	494	Plate, yoke frame	2	2				
090	2133	Pin, roll	1	1	265	541	Bolt, hex	2	2				
095	438	Piston assy.	1	1	270	415	Nut, hex, jam	2	2				
100	460	Cup, leather	2	2	275	553	Lever assy.	1	1				
105	461	Plate, leather, cup	2	2	280	532	. Lever, holder	1	1				
110	927	Retaining ring	2	2	285	535	. Shaft, roller, bearing	1	1				
115	931	Shaft, piston	1	1	290	533	. Bearing, outer, roller	1	1				
120	922	O-ring	1	1	295	534	. Bearing, inner, roller	1	1				
125	929	Spacer	1	1	300	627	. Needle, roller, bearing	32	32				
130	923	O-ring	1	1	305	498	. Wedge, guide stamping	2	2				
140	930	Piston, rear	1	1	310	470	Shaft, roller bearing	2	2				
145	483	Gasket, head, cylinder	1	1	315	472	Washer, thrust	4	4				
150	410	Screw, hex hd steel cap	6	6	320	469	Bearing, roller, outer	2	2				
155	468	Spring, compression	2	2	325	626	Bearing, roller, needle	40	40				

