

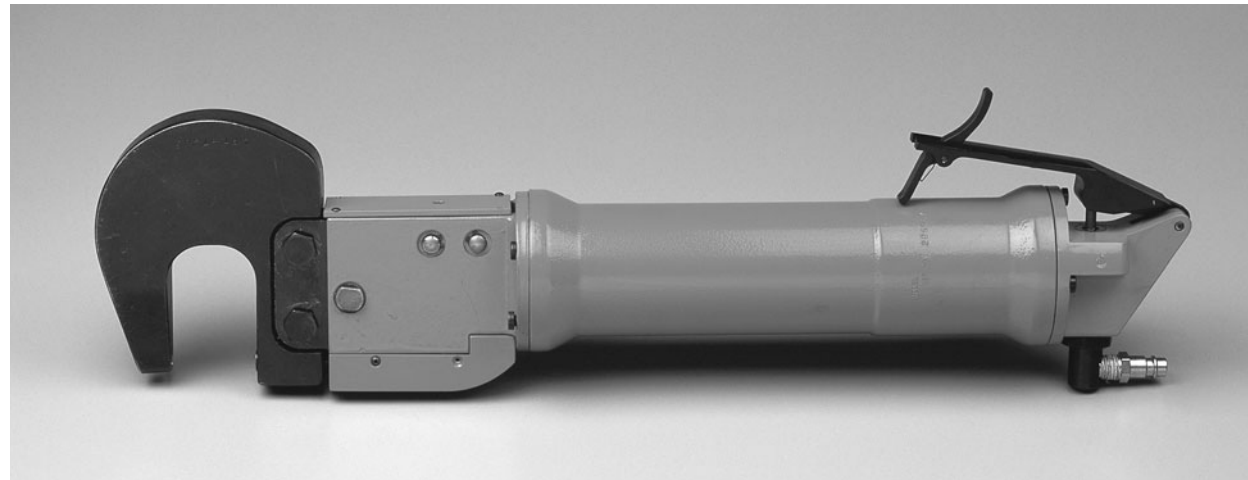
AEROSPACE

ULTRALITE™ COMPRESSION RIVETER

C-Yoke Model 735

Standard Features

- Ergonomic design
- 50% weight reduction over larger models
 - High strength forged jaws
 - Precision bearings and shafts

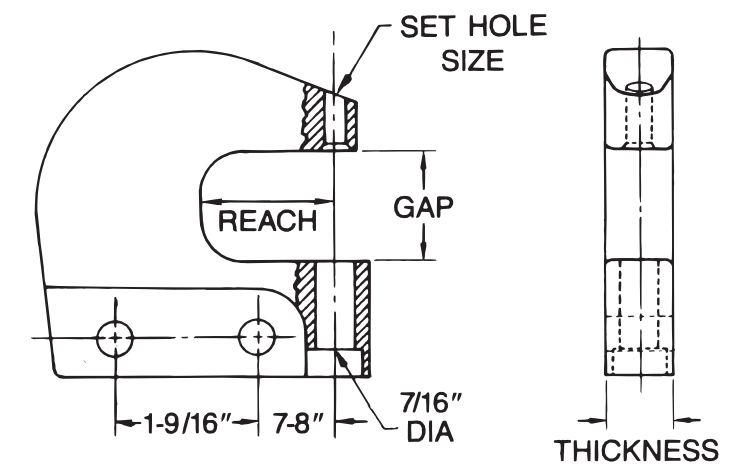
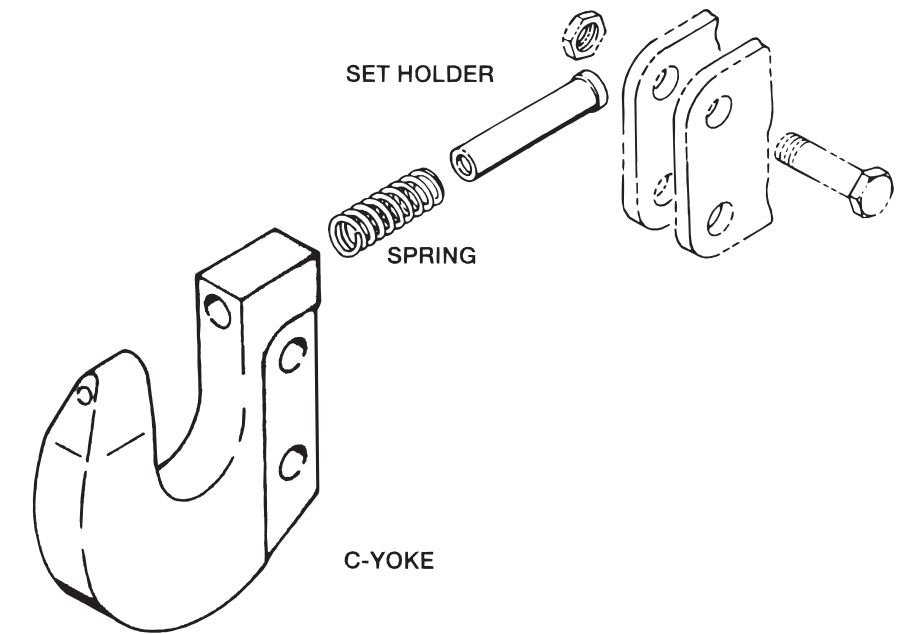


Power Unit

POWER UNIT ONLY		CAPACITY COLD RIVET		SET HOLDER PLUNGER		PART OF STROKE AT MAX FORCE		NET WEIGHT WITH C-YOKE		OVERALL LENGTH		AIR INLET	
MODEL NO.	ORDERING NO.	ALUMINUM	STEEL	MAX FORCE AT 90 PSI	MAX FORCE	in.	mm	mm	lbs.	kg.	in.	mm	in.
735	16357	5/16	1/4	11000	1/8	3.2	10.1	4.6	21.0	525	1/4 NPT		
		7.9	6.4	49000									

MINIMUM AIR PRESSURE: 90 PSI MINIMUM HOSE SIZE: 1/4" DIA.

C-Yokes See adjacent page



C-Yokes (dimensions in inches)

YOKE ASSY. NO.	REACH	GAP	THICKNESS	SET HOLE SIZE	SET HOLDER	SPRING
7479	1-1/2	1-1/4	3/4	3/16	7480	3054
7481	2	1-1/2	7/8	3/16	7480	3054
7482	3	1-1/2	1-1/8	3/16	7480	3054
7483	1-1/2	2	1	3/16	7480	3054
7484	2-1/2	1-3/8	1	3/16	7480	3054
7485	2-1/2	1-3/4	1-1/8	3/16	7480	3054
3052	1-1/2	1-1/4	3/4	1/4	3053	3054
6477	2	1-1/2	7/8	1/4	3053	3054
6478	3	1-1/2	1-1/8	1/4	3053	3054
6479	1-1/2	2	1	1/4	3053	3054
6480	2-1/2	1-3/8	1	1/4	3053	3054
6481	2-1/2	1-3/4	1-1/8	1/4	3053	3054

COMPRESSION RIVETER POWER UNIT - ALLIGATOR JAW MODEL 735C

Item	Part No.	Description	Qty.	Item	Part No.	Description	Qty.
010	16596	Cylinder	1	139	3087	. . O-ring	1
015	3079	Retaining ring	1	140	3083	. Bushing, valve, throttle	1
020	3085	Screen	1	145	2161	. Spring	1
025	3087	Screen	1	150	2082	. O-ring	4
030	3088	Muffler	1	155	514	. O-ring	1
035	16835	Lever	1	160	2786	. O-ring	1
040	17018	Pin, dowel	1	165	3095	. Nut, swivel	1
045	2314	Lever, safety, spring	1	170	16837	. Lever	1
050	16794	O-ring	1	175	16804	Screw	8
055	16592	Pin, dowel	1	180	7821	Screw, lever, blank	1
060	17019	Wedge assy.	1	190	981	Nut, jam, hex	2
061	16429	. Wedge	1	195	16256	Washer	4
063	16997	. Spring	1	200	3055	Bolt	2
064	1449	. Pin, roll	1	205	16784	Pivot, bolt	1
065	19244	Pin	1	210	16232	Plate, frame	2
070	16801	Fork, shaft, piston	1	215	16354	Washer, thrust	4
075	16749	Shaft, piston	2	220	471	Bearing, roller, shaft	2
080	491	O-ring	3	225	3363	Retaining ring	4
085	3090	O-ring	9	230	16356	Cover	1
090	2082	O-ring	1	235	6475	Screw, cover, blank	8
095	3122	Nut	1	240	16797	Bearing, outer race	1
100	16803	Ring, snap	4	245	3100	Bearing, roller, needle	30
105	16798	Piston	3	250	16799	Bearing, inner race	1
110	16792	Backhead	2	255	16352	Lever	1
115	17323	Backhead assy.	1	260	16796	Bearing, roller, stat.	2
120	16600	. End cap	1	265	626	Bearing, roller, needle	40
125	16747	. Swivel	1	270	16203	Adapter, C-yoke	1
130	3090	. O-ring	1	275	3502	Shaft, bearing, roller	1
135	3086	. Valve assy.	1	280	16361	Plate, adapter, cover	1
137	3072	. . O-ring	4				
138	3084	. . Valve, throttle	1				

