

AEROSPACE

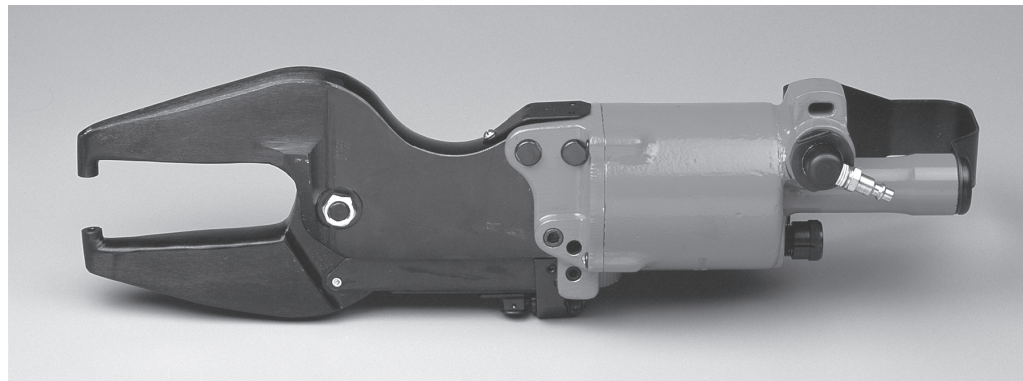
ULTRALITE™

COMPRESSION RIVETER

Alligator Model 740A

Standard Features

- Safety throttle lever
- Anodized aluminum housing
 - 90° elbow swivel air inlet
- Rivet capacity up to 5/16" aluminum and 1/4" steel
 - Smooth controlled throttle movement
 - Low cost replacement parts
- Additional configuration of jaws available
 - Operate on 90 PSI air
- Set holders in 3/16" and 1/4" diameter available



Power Unit

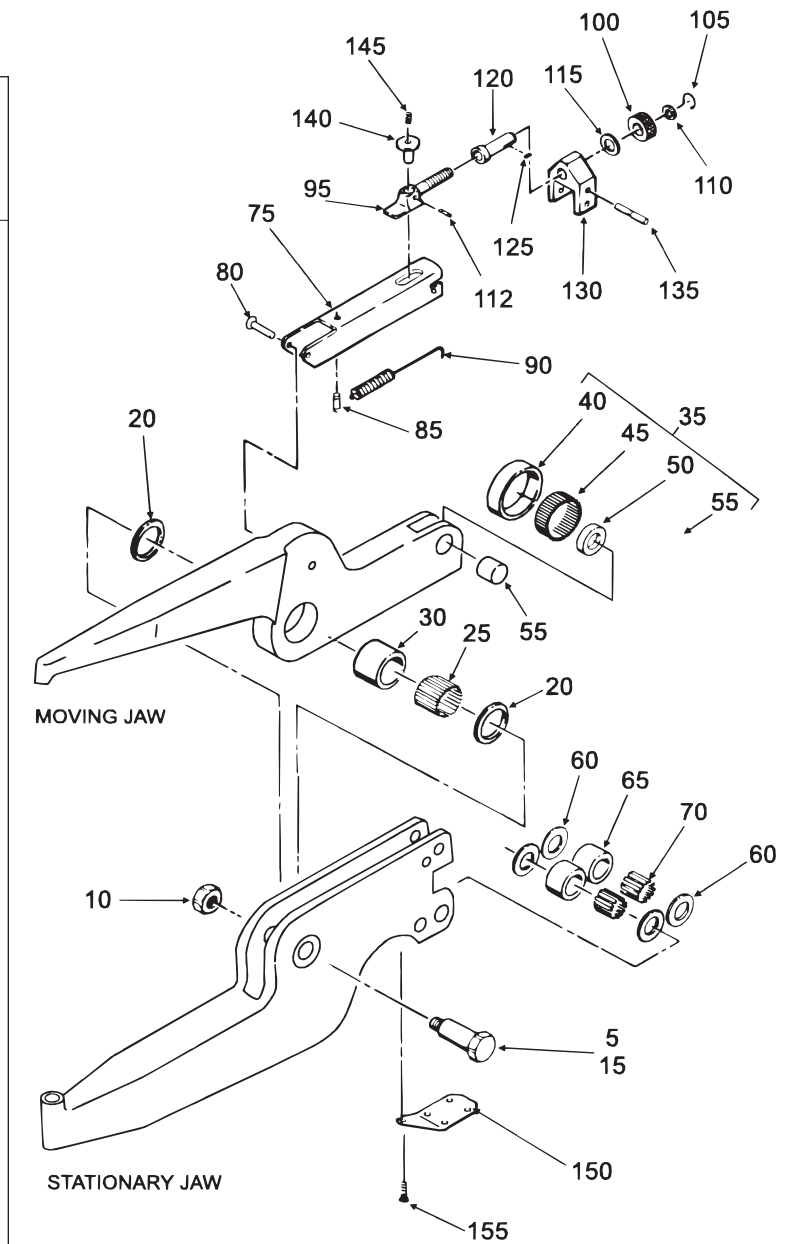
MODEL NO.	POWER UNIT ONLY		CAPACITY COLD RIVET				MAX FORCE AT 90 PSI pounds	PART OF STROKE AT MAX FORCE		NET WEIGHT WITH JAWS		OVERALL LENGTH		AIR INLET in.
	ORDERING NO.	JAW REACH	ALUMINUM in.	mm	STEEL in.	mm		in.	mm	lbs.	kg.	in.	mm	
740A	1825	2-7/8	3/16	4.8	5/32	4.0	8150	1/8	3.2	16-1/2	7.5	19-3/4	501	1/4 NPT
740A	1825	5	5/32	4.0	1/8	3.2	4695	1/8	3.2	21-3/4	9.9	21-3/4	552	1/4 NPT
740A	1825	7	1/8	3.2	3/32	2.4	3350	3/16	4.8	25-1/2	11.6	23-3/4	603	1/4 NPT
740A	1825	9-1/8	1/8	3.2	3/32	2.4	2570	1/16	1.6	26	11.8	25-3/4	654	1/4NPT
TANDEM CYLINDER MODELS (WITH MODEL 268 CONVERSION UNIT)														
740A-268	1825-268	2-7/8	5/16	7.9	1/4	6.4	16300	1/8	3.2	21-1/2	9.8	24-1/8	612	1/4 NPT
740A-268	1825-268	5	1/4	6.4	3/16	4.8	9390	3/16	4.8	26-3/4	12.1	26-1/8	663	1/4 NPT
740A-268	1825-268	7	3/16	4.8	5/32	4.0	6700	1/16	1.6	30-1/2	13.8	28-1/8	714	1/4 NPT
740A-268	1825-268	9-1/8	3/16	4.8	5/32	4.0	5140	1/16	1.6	31-1/2	14.3	30-1/4	768	1/4 NPT

MINIMUM AIR PRESSURE: 90 PSI

MINIMUM HOSE SIZE: 1/4" DIA.



Item	Part No.	Description	Qty.	Qty.	Qty.
				1769	1770
				449	1771
			2460	1767	
			6134	1768	
005	1090	Bolt	1	1	1
010	1091	Nut	1	1	1
015	5909	Shim	1	1	1
020	1341	Washer	2	2	2
025	1093	Bearing, needle	39	39	39
030	1092	Bearing, roller	1	1	1
035	16716	Roller assy.	1	1	
035	16680	Roller assy.			1
040	16551	. Race, outer	1	1	
040	16552	. Race, outer			1
045	626	. Bearing, needle	52	52	52
050	16550	. Race, inner	1	1	1
055	547	. Shaft	1	1	1
060	408	Washer	4	4	4
065	1088	Bearing, roller	2	2	2
070	1071	Bearing, needle	44	44	44
075	2641	Guard	1		
075	1749	Guard		1	
075	419	Guard			1
080	1089	Rivet	1	1	1
085	1223	Stud	1	1	1
090	230	Spring	1	1	1
095	1761	Screw	1	1	1
100	1756	Wheel	1	1	1
105	1754	Ring	1	1	1
110	1755	Washer	1	1	1
112	1764	Pin	1	1	1
115	1758	Washer	1	1	1
120	1760	Sleeve	1	1	1
125	1757	Pin	1	1	1
130	1759	Yoke	1	1	1
135	1219	Pin	1	1	1
140	1762	Button	1	1	1
145	1763	Spring	1	1	1
150	1748	Guard	1	1	1
155	1075	Screw	1	1	1

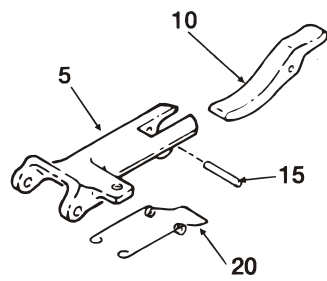
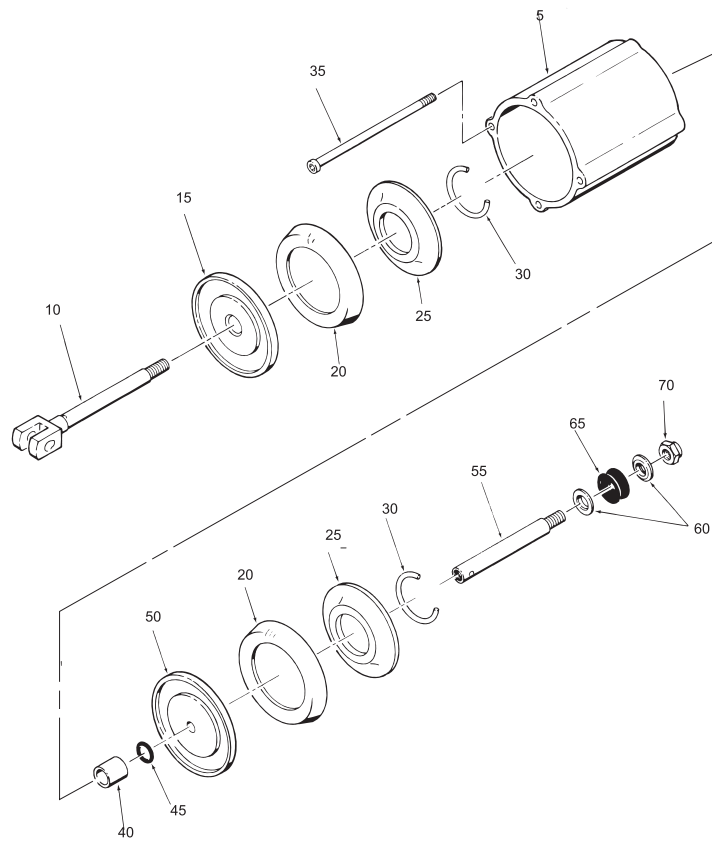


Alligator Jaws (dimensions in inches)

JAW ASSY.	STATIONARY JAW	MOVING JAW	SET HOLE SIZE	REACH	CLOSED HEIGHT	MAX. TRAVEL	GAP	OFFSET
2460	2459	2461	3/16	2-7/8	7/8	13/16	1-5/8	3/8
6134	6131	6132	1/4	2-7/8	7/8	13/16	1-5/8	3/8
1767	1744	1745	3/16	5	7/8	1-3/8	1-5/8	3/8
1768	1765	1766	1/4	5	7/8	1-3/8	1-5/8	3/8
1769	582	581	3/16	7	3/4	1-7/8	2-1/8	11/16
1770	1136	1137	1/4	7	3/4	1-7/8	2-1/8	11/16
449	414	549	3/16	9-1/8	3/4	2-1/2	2-1/8	11/16
1771	1274	1275	1/4	9-1/8	3/4	2-1/2	2-1/8	11/16

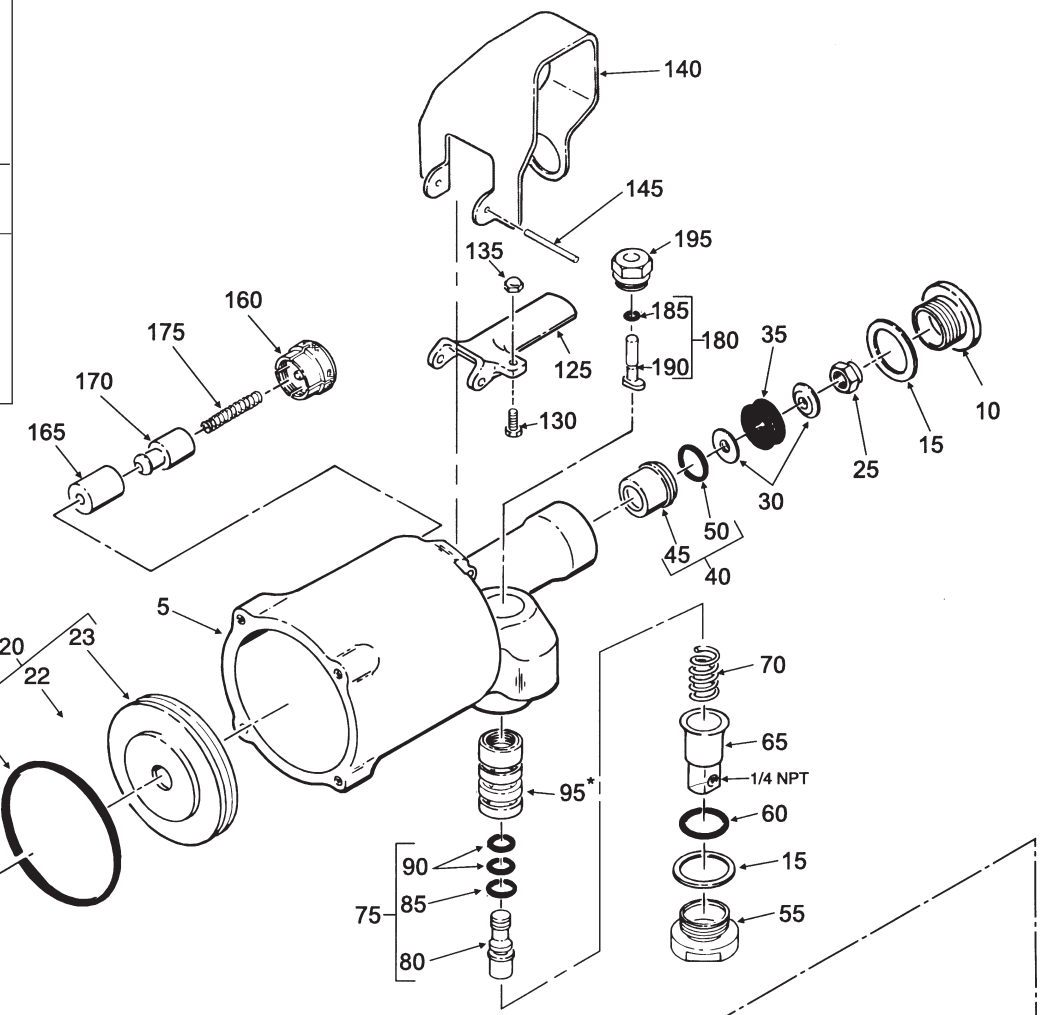
TANDEM CYLINDER CONVERSION UNIT - MODEL 268

Item	Part No.	Description	Qty.
005	294	Cylinder	1
010	269	Fork	1
015	270	Piston	1
020	271	Cup, leather	2
025	287	Plate	2
030	291	Ring, locking	2
035	293	Screw	4
040	295	Bushing	1
045	922	O-ring	1
050	298	Piston, rear	1
055	299	Shaft, piston	1
060	2067	Washer, cone	2
065	2084	Piston, return	1
070	2322	Nut	1
025	482	Bolt, bearing, roller	1
030	3363	Ring, retaining	4



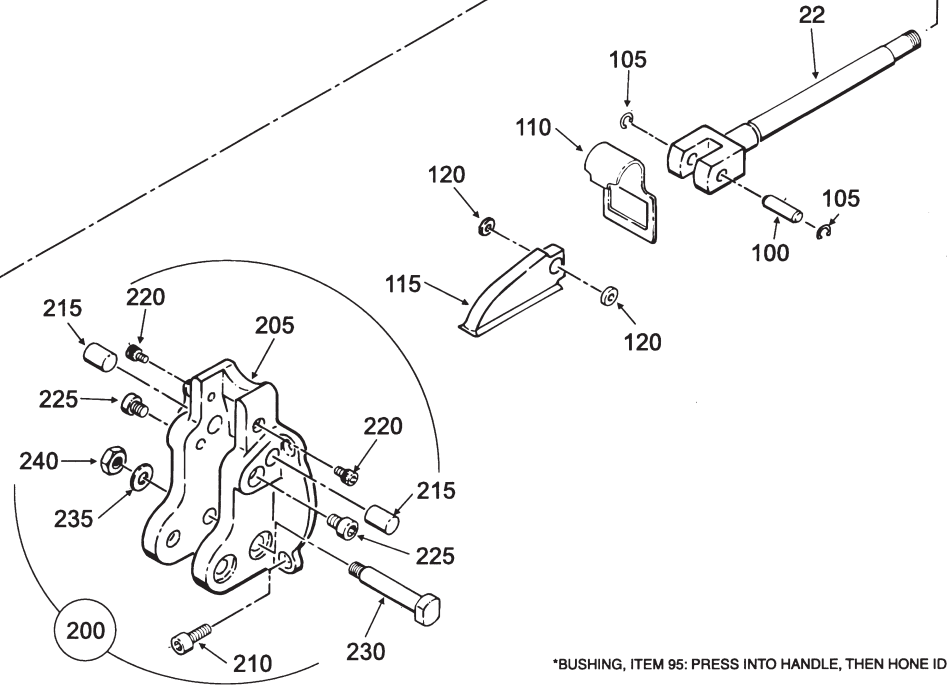
Option -
2318 Safety Lever Assy

005	2313	Lever	1
010	2315	Lever	1
015	1000	Pin	1
020	2314	Spring	1



COMPRESSION RIVETER POWER UNIT - ALLIGATOR JAW MODEL 740A

Item	Part No.	Description	Qty.	Item	Part No.	Description	Qty.
005	5687	Cylinder assy.	1	115	560	Wedge	1
010	1062	Plug, return, cylinder	1	120	561	Shim	2
015	402	Gasket	2	125	1484	Lever, throttle	1
020	1220	Shaft, fork, piston assy.	1	130	409	Screw, adj. slotted, hex	1
022	269	. Fork	1	135	401	Nut, hex	1
023	2137	. Piston	1	140	2430	Guard assy.	1
024	2271	. O-ring	1	145	3129	. Dowel pin	1
025	2322	Nut, elastic stop	1	160	1127	Nut assy., adj.	1
030	2067	Washer, cone	2	165	5826	Glide, regulator, valve	1
035	2084	Piston, return	1	170	1100	Valve, exhaust	1
040	1094	Bushing assy.	1	175	1101	Spring, compression	1
045	2501	. Bushing, flange	1	180	2081	Push pin assy.	1
050	922	. O-ring	1	185	564	. O-ring	1
055	1079	Nut, swivel, air inlet	1	190	2491	. Push pin, throttle valve	1
060	1228	O-ring	1	195	403	Bushing	1
065	1145	Swivel, inlet, air	1	200	17076	Jaw adapter assy.	1
070	1080	Spring, valve, throttle	1	205	1747	. Adapter	1
075	2080	Valve assy., throttle	1	210	1065	. Screw	4
080	2490	. Valve, throttle	1	215	1084	. Pin	2
085	548	. O-ring	1	220	1099	. Screw	2
090	2266	. O-ring	2	225	1085	. Screw	2
095	406	Bushing, throttle, valve	1	230	1086	. Bolt	2
100	1095	Pin, dowel	1	235	1087	. Washer	2
105	551	Ring, locking	2	240	975	. Nut	2
110	2061	Spring, wedge	1				



*BUSHING, ITEM 95: PRESS INTO HANDLE, THEN HONE ID TO .5626/.5629.