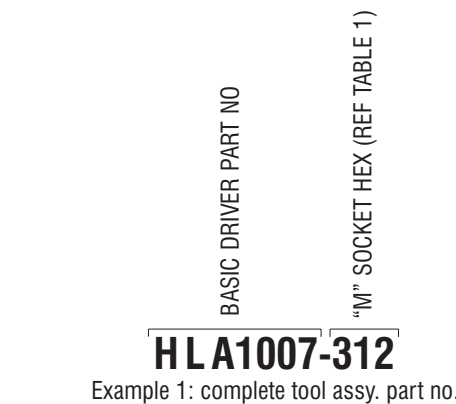
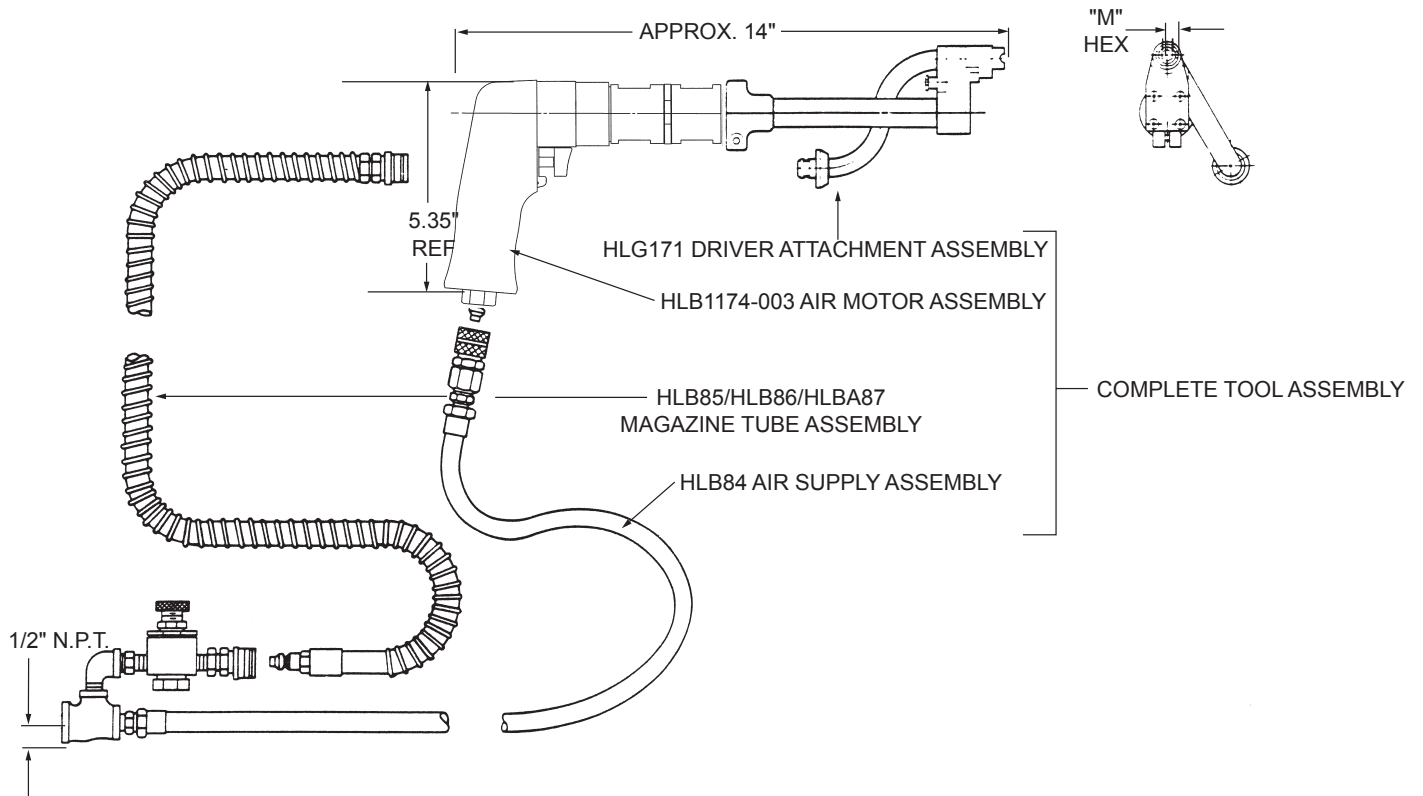


# INSTALLATION TOOLING

# HLA1007

## Automatic Feed Driver Assembly 1 Inch Offset



Example 1: complete tool assy. part no.

### ORDERING INFORMATION

1. Determine collar driving hex of the fasteners to be installed.
2. See table 1 for "M" socket hex to match collar driving hex dimensions. Determine complete tool assembly part number.

### TECHNICAL DATA

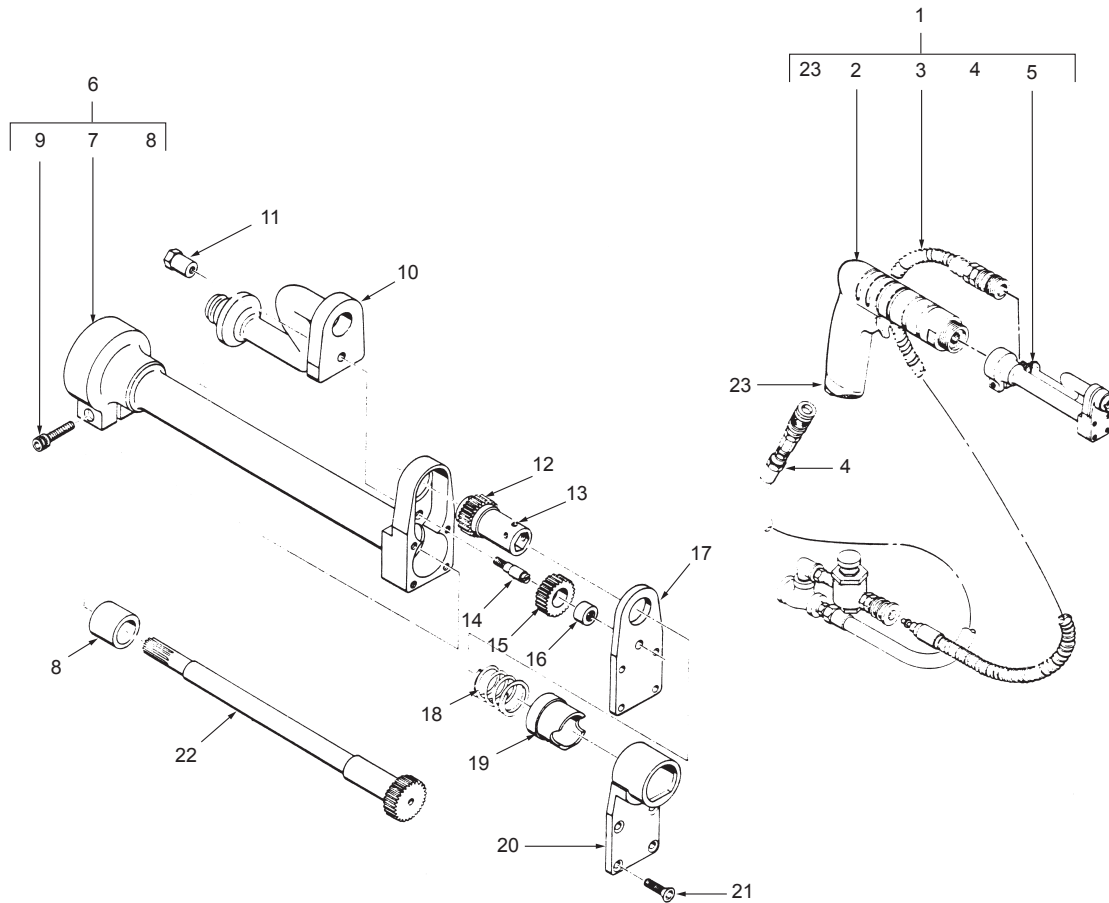
Operating Pressure .....	90 PSIA	Horsepower Rating .....	0.75
<b>MAX. TORQUE RATING</b> .....	270 in. lb	Air Consumption .....	25 CFM
(Motor)	@ 90 PSIA	Weight .....	3 lb
Socket Speed .....	600 RPM		

**TABLE 1**

"M" SOCKET HEX (Matches Collar Driving Hex)	COMPLETE TOOL ASSEMBLY Part No.	RATCHET WRENCH ATTACHMENT ASSY. Part No. (Ref.)
5/16	HLA1007-312	HLG171-312
11/32	HLA1007-343	HLG171-343
7/16	HLA1007-437	HLG171-437

# HLG171

## Driver Attachment Assembly 1 Inch Offset



ITEM	PART NAME	PART NO. FOR ORDERING			QTY REQ.
1	Complete tool assembly	HLA1007-312	HLA1007-343	HLA1007-437	1
2	. Air motor assembly	HLBB1174-003	HLB1174-003	HLB1174-003	1
3	. Magazine tube assembly	HLB85-3	HLB86-3	HLBA87-1	1
4	. Air supply assembly	HLB84	HLB84	HLB84	1
5	. Driver attachment assembly	HLG171-312	HLG171-343	HLG171-437	1
6	. . Housing assembly, complete	HLB102	HLB102	HLB122	1
7	. . . Housing assembly, sub	Not sold separately	Not sold separately	Not sold separately	1
8	. . . Bushing (Boston Gear Co.)	B810-5	B810-5	B810-5	1
9	. . . Cap, screw, socket head	Not sold separately	Not sold separately	Not sold separately	1
10	. . Feed tube assembly	HLB111	HLB319	HLB128	1
11	. . Nut, special	HLB110	HLB110	HLB110	1
12	. . Socket, gear	HLB104-312 5/16 hex	HLB320 11/32 hex	HLB123 7/16 hex	1
13	. . Ball, steel .093 dia.	.093 dia.	.093 dia.	.093 dia.	6
14	. . Shaft, intermediate	HLB105	HLB105	HLB105	1
15	. . Gear, intermediate	HLB106-7	HLB106-7	HLB106-7	1
16	. . Bearing (Torrington)	B-34	B-34	B-34	1
17	. . Cover	HLB107	HLB107	HLB124	1
18	. . Spring	522	522	HLB126	1
19	. . Nose piece	HLB109-312	HLB318	HLB127	1
20	. . Lower plate assembly	HLB108	HLB108	HLB125	1
21	. . Screw, flat head socket	6-32HC x 1/2 lg.	6-32NC x 1/2 lg.	6-32NC x 1/2 lg.	4
22	. . Gear, drive	HLB103-5	HLB103-5	HLB103-5	1
23	. Plug (Hansen)	#10	#10	#10	1

**HS TOOLING**

14083 S. Normandie Ave, Gardena CA 90249 USA  
800.482.4167 • fax 310.464.8545

**HLG171**

**Driver Attachment Assembly-1 Inch Offset**

**3202 rev A**