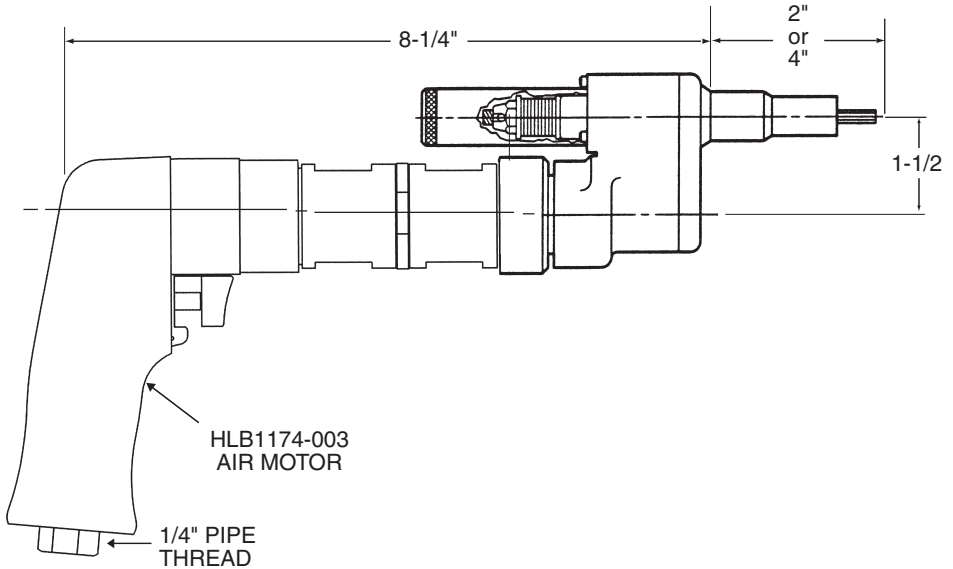
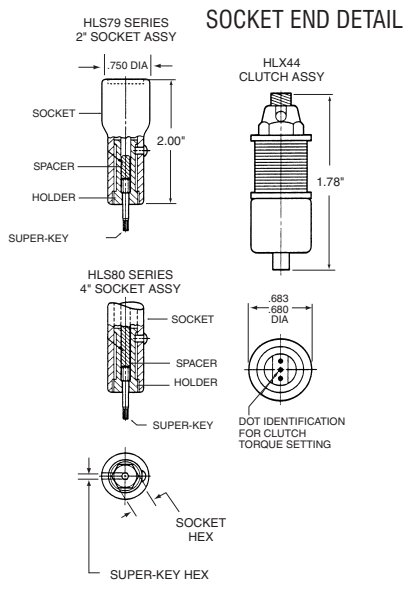


INSTALLATION TOOLING

SUPER HLA1066

Offset Driver Assembly
with Clutch, Extended Socket
and Super-Key™ (T-Series)



DRIVER BASIC PART NO. **HLA1066-312 (X)-078 T**

SOCKET HEX REF. TABLE 1

SOCKET LENGTH: X = 4.0", NO LETTER = 2.0"

SUPER-KEY HEX REF. TABLE 1.

SUPER-KEY (T-SERIES)

Example: complete driver assy. part no.

ORDERING INFORMATION

1. Match pin and collar hexes with Super-Key Hex and Socket Hex.
2. See table 1 for corresponding complete driver assy part no.

TECHNICAL DATA

Operating Pressure	90 PSIA	Horsepower Rating	0.70
MAX. TORQUE RATING	300 in. lb (Motor)	Air Consumption	22 SCFM
Socket Speed	250 RPM	Weight.....	3.8 lb

TABLE 1

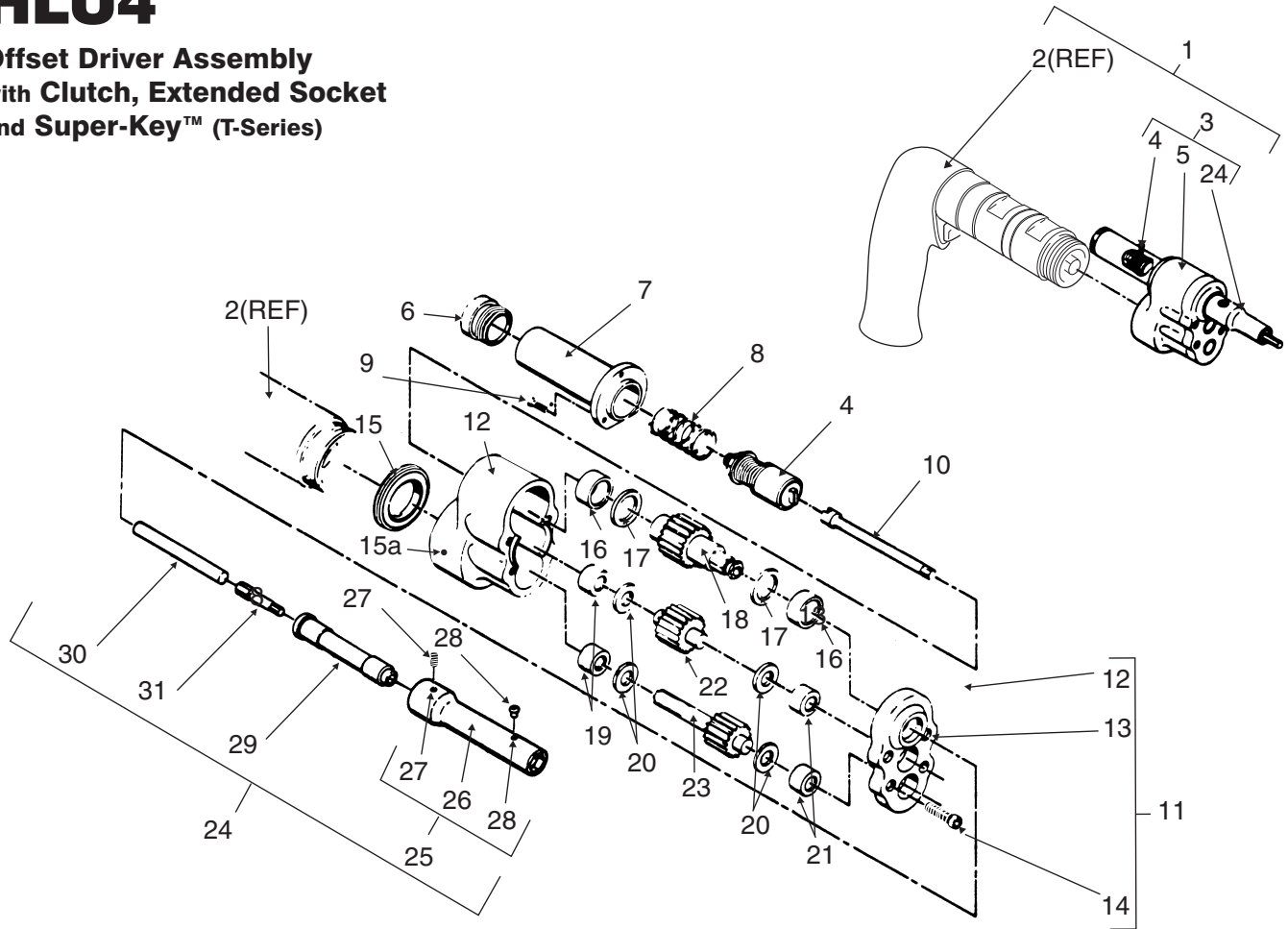
COLLAR DRIVING HEX (Matches Socket Hex)	PIN RECESS HEX (Matches Super-Key Hex)	COMPLETE DRIVER ASSY. PART NO.			B DIA.	HLAX4 CLUTCH ASSEMBLIES		
		WITH HLS79 SERIES 2" EXTENDED SOCKET	WITH HLS80 SERIES 4" EXTENDED SOCKET	PART NO.		DOT IDENTIFICATION	TORQUE SETTING	
1/4	1/16	HLA1066-250-062T	HLA1066-250X-062T	0.468	HLXA4-5	•	8-10 IN. LB	
9/32		HLA1066-281-062T	HLA1066-281X-062T	0.468				
5/16		HLA1066-312-062T	HLA1066-312X-062T	0.500				
11/32		HLA1066-343-062T	HLA1066-343X-062T	0.500				
1/4	5/64	HLA1066-250-078T	HLA1066-250X-078T	0.468	HLXA4-6	••	18-20 IN. LB	
9/32		HLA1066-281-078T	HLA1066-281X-078T	0.468				
5/16		HLA1066-312-078T	HLA1066-312X-078T	0.500				
11/32		HLA1066-343-078T	HLA1066-343X-078T	0.500				
3/8	3/32	HLA1066-375-078T	HLA1066-375X-078T	0.550	HLXA4-8	•••	30-32 IN. LB	
5/16		HLA1066-312-094T	HLA1066-312X-094T	0.500				
11/32		HLA1066-343-094T	HLA1066-343X-094T	0.500				
3/8		HLA1066-375-094T	HLA1066-375X-094T	0.550				
7/16		HLA1066-437-094T	HLA1066-437X-094T	0.625				

SUPER HLA1066
OFFSET DRIVER ASSEMBLY with Extended Socket & Super-Key™ (T-series)



HLU4

Offset Driver Assembly with Clutch, Extended Socket and Super-Key™ (T-Series)



ITEM	PART NO.	DESCRIPTION	QTY		ITEM	PART NO.	DESCRIPTION	QTY	
			HLS79 SERIES 2" EXT. SOCKET	HLS80 SERIES 4" EXT. SOCKET				HLS79 SERIES 2" EXT. SOCKET	HLS80 SERIES 4" EXT. SOCKET
1	HLA1066-()-()T	Tool assy. (ref.)	1		18	HLB117	... Gear, socket drive	1	1
1	HLA1066-()X-()T	Tool assy. (ref.)		1	19	B55	... Bearing (Torrington)	2	2
2	HLB1174-003	. Air motor assy. (ref.)	1	1	20	$\frac{5}{16}$ ID X $\frac{3}{4}$ OD X $\frac{1}{16}$... Washer, thrust	4	4
3	HLU4-()-()T	. Driver assy.	1		21	M551	... Bearing (Torrington)	2	2
3	HLU4-()X-()T	. Driver assy.		1	22	HLB119	... Gear, idler	1	1
4	HLXA4-()	.. Clutch assy.	1	1	23	HLB120	... Gear, drive shaft	1	1
5	HLG105	.. Gear housing assy	1	1	24	HLS79-()-()T	.. Socket assy.	1	
6	HLB115	... Clutch cap	1	1	24	HLS80-()-()T	.. Socket assy.		1
7	HLB116	... Sleeve assy	1	1	25	HLS23-()	... Socket sub-assy.	1	
8	HLB114	... Spring	1	1	25	HLS24-()	... Socket sub-assy.		1
9	4-40 UNC x 3/8 lg	... Screw, soc hd	3	3	26	965050-()	... Socket	1	
10	HLB118	... Clutch shaft	1	1	26	965052-()	... Socket		1
11	HLB121	... Housing assy.	1	1	27	8-32 x 3/16 lg.	... Set screw, Nylok	1	1
12	Not sold separately	... Housing, rear	1	1	28	6-32 x 5/32 lg.	... Screw, btn hd cap	1	1
13	Not sold separately	... Housing, front	1	1	29	HLB1653-()	... Holder	1	
14	6-32 UNC x 5/8 lg	... Screw, soc hd	4	4	29	HLB1638-()	... Holder		1
15	HLB112*	... Nut, jam	1	1	30	HLB1616H	... Spacer	1	
15a	8-32 x 3/16 long*	... Set screw, nylon tip	2	2	30	HLB1616J	... Spacer		1
16	B85	... Bearing (Torrington)	2	2	31	HLT140K-()	... Super-Key	1	1
17	$\frac{1}{2}$ ID X $\frac{3}{4}$ OD X $\frac{1}{16}$... Washer, thrust	2	2					

*use on parts after 1/01/02

HS TOOLING

14083 S. Normandie Ave, Gardena CA 90249 USA
800.482.4167 • fax 310.464.8545

OFFSET DRIVER ASSEMBLY
with Clutch, Extended Socket & Super-Key™ (T-Series)

3004 rev —