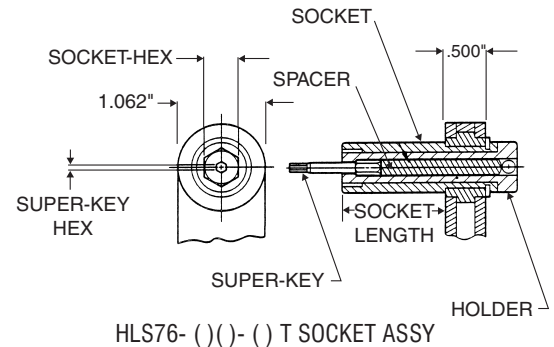
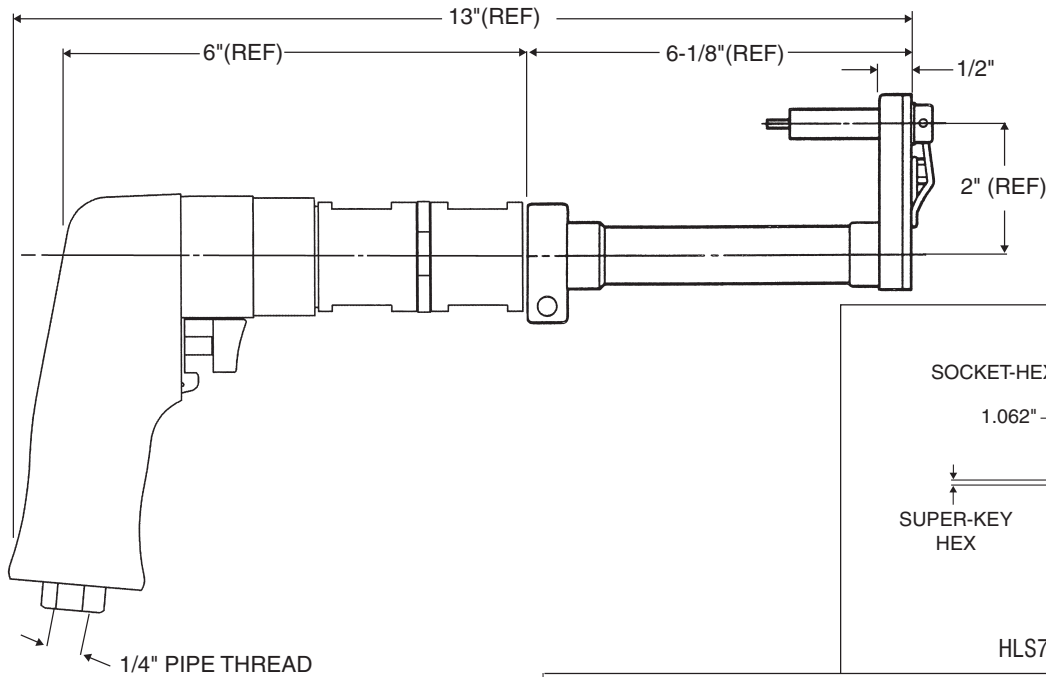


INSTALLATION TOOLING SUPER HLA1086

2 Inch Offset Back Drive
Driver Assembly with Extended Socket
and Super-Key™ (T-Series)



TECHNICAL DATA

Operating Pressure	90 PSIA	Horsepower Rating	0.70
MAX. TORQUE RATING	300 in. lb (Motor) @ 90 PSIA	Air Consumption	22 SCFM
Socket Speed	250 RPM	Weight	3.8 lb

TABLE 1

COLLAR DRIVING HEX (Matches Socket Hex)	PIN RECESS HEX (Matches Super-Key Hex)	COMPLETE DRIVER ASSY. PART NO.	OFFSET ADAPTOR & SOCKET ASSY. PART NO.	EXTENDED SOCKET ASSY. PART NO.	
3/16	1/16	HLA1086-187()-062T	HLG222-187()-062T	HLS76-187()-062T	
7/32		HLA1086-218()-062T	HLG222-218()-062T	HLS76-218()-062T	
1/4		HLA1086-250()-062T	HLG222-250()-062T	HLS76-250()-062T	
9/32		HLA1086-281()-062T	HLG222-281()-062T	HLS76-281()-062T	
5/16		HLA1086-312()-062T	HLG222-312()-062T	HLS76-312()-062T	
11/32		HLA1086-343()-062T	HLG222-343()-062T	HLS76-343()-062T	
7/32		5/64	HLA1086-218()-078T	HLG222-218()-078T	HLS76-218()-078T
1/4	HLA1086-250()-078T		HLG222-250()-078T	HLS76-250()-078T	
9/32	HLA1086-281()-078T		HLG222-281()-078T	HLS76-281()-078T	
5/16	HLA1086-312()-078T		HLG222-312()-078T	HLS76-312()-078T	
11/32	HLA1086-343()-078T		HLG222-343()-078T	HLS76-343()-078T	
3/8	HLA1086-375()-078T		HLG222-375()-078T	HLS76-375()-078T	
5/16	HLA1086-312()-094T		HLG222-312()-094T	HLS76-312()-094T	
11/32	HLA1086-343()-094T		HLG222-343()-094T	HLS76-343()-094T	
A = 0.50	3/8		HLA1086-375()-094T	HLG222-375()-094T	HLS76-375()-094T
B = 1.00	7/16		HLA1086-437()-094T	HLG222-437()-094T	HLS76-437()-094T
C = 1.50	3/8	HLA1086-375()-125T	HLG222-375()-125T	HLS76-375()-125T	
D = 2.00	7/16	HLA1086-437()-125T	HLG222-437()-125T	HLS76-437()-125T	

TABLE 2

A = 0.50	E = 0.75
B = 1.00	F = 1.75
C = 1.50	X = 4.00
D = 2.00	

DRIVER BASIC PART NO.

SOCKET HEX REF. TABLE 1

SOCKET LENGTH (REF TABLE 2)

SUPER-KEY HEX (REF TABLE 1)

SUPER-KEY (T-SERIES)

HLA1086-312(A)-078-T

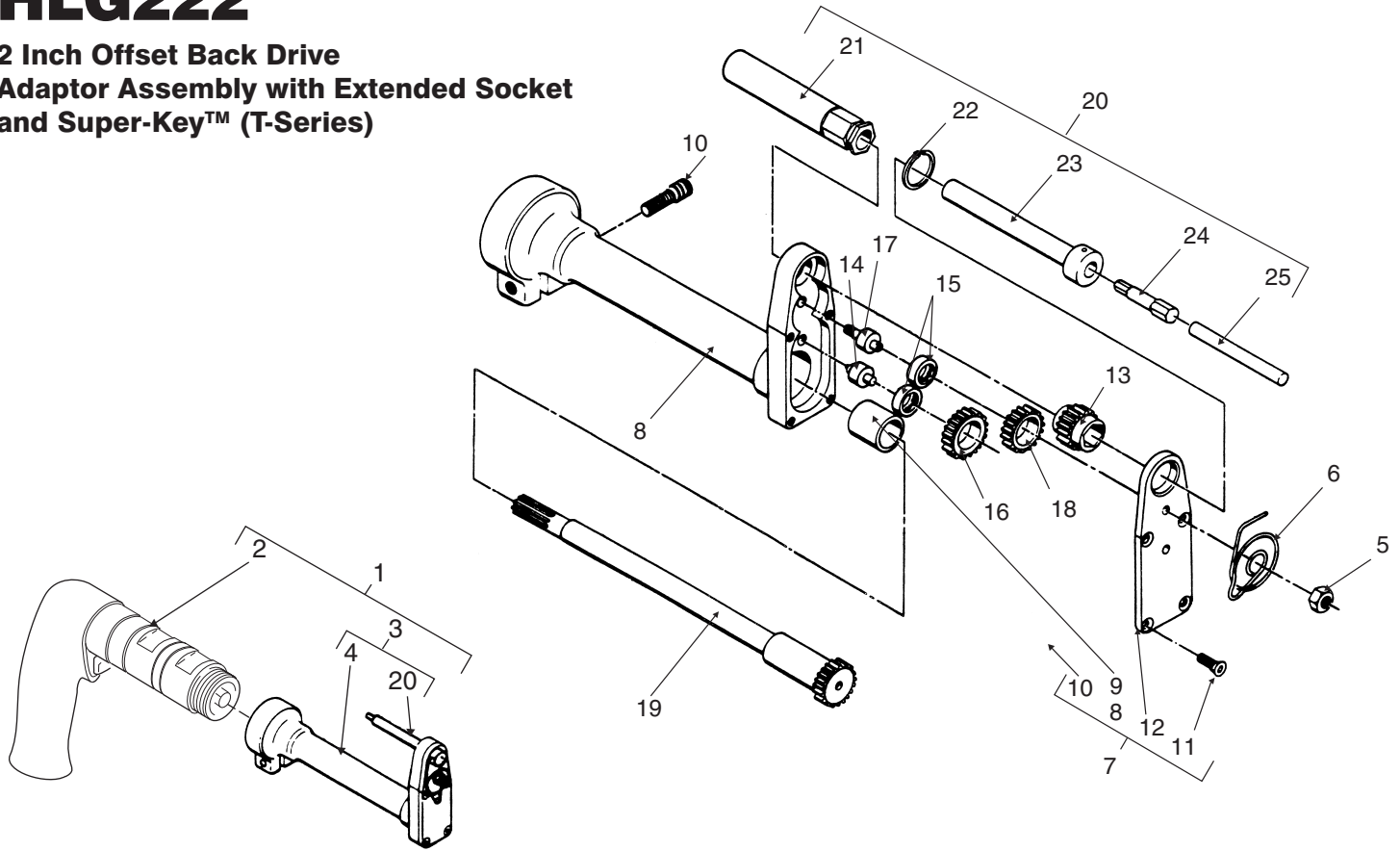
Example: complete driver assy. part no.

ORDERING INFORMATION

- Match pin and collar hexes with Super-Key Hex and Socket Hex.
- See table 1 for corresponding complete driver assy part no.

HLG222

2 Inch Offset Back Drive Adaptor Assembly with Extended Socket and Super-Key™ (T-Series)



ITEM	PART NO.	DESCRIPTION	QTY
1	HLA1086-() ()-()T	Tool assy., complete	1
2	HLB1174-003	. Air motor assy.	1
3	HLG222-() ()-()T	. Offset adaptor and socket assy.	1
4	HLG223	. . Offset adaptor assy.	1
5	AN364-632C	. . . Nut, hex	1
6	HLB1475-5	. . . Spring, ejector	1
7	HLB169-13	. . . Housing assy., complete	1
8	HLB168-13 Housing sub-assy.	1
9	B810-5 Bushing	1
10	1/4-28 x 5/8 lg. Capscrew, socket head	1
11	6-32 x 3/8 lg. Screw, countersunk-82°	4
12	HLB174 Plate, cover	1
13	HLB23-437	. . . Gear, socket, 7/16 thru hex	1
14	HLB159	. . . Shaft, intermediate, no. 2	1
15	B34	. . . Bearing (Torrington)	2
16	HLB106-11	. . . Gear, intermediate, no. 2	1
17	HLB105	. . . Shaft, intermediate, no. 1	1
18	HLB-106-11	. . . Gear, intermediate, no. 1	1
19	HLB103-5	. . . Gear, drive	1
20	HLS76-() ()-()T	. . Socket assy., extended	1
21	HLS47-() () Table 3	. . . Socket	1
22	5100-50	. . . Ring, retaining	1
23	HLB1665-() ()	. . . Holder	1
24	HLT140K-() Table 4	. . . Super-Key	1
25	HLB1616-()	. . . Spacer	1

TABLE 3

SOCKET

HEX SIZE (Matches Collar Driving Hex)	PART NO.
3/16	HLS47-187()
7/32	HLS47-218()
1/4	HLS47-250()
9/32	HLS47-281()
5/16	HLS47-312()
11/32	HLS47-343()
3/8	HLS47-375()
7/16	HLS47-437()

TABLE 4

SUPER-KEY

HEX SIZE (Matches Pin Recess Hex)	PART NO.
1/16	HLT140K-062
5/64	HLT140K-078
3/32	HLT140K-094
1/8	HLT140K-125

HS TOOLING

14083 S. Normandie Ave, Gardena CA 90249 USA
800.482.4167 • fax 310.464.8545

HLG222

**2 INCH OFFSET BACK DRIVE ADAPTOR ASSEMBLY with Extended Socket
and Super-Key™ (T-Series)**