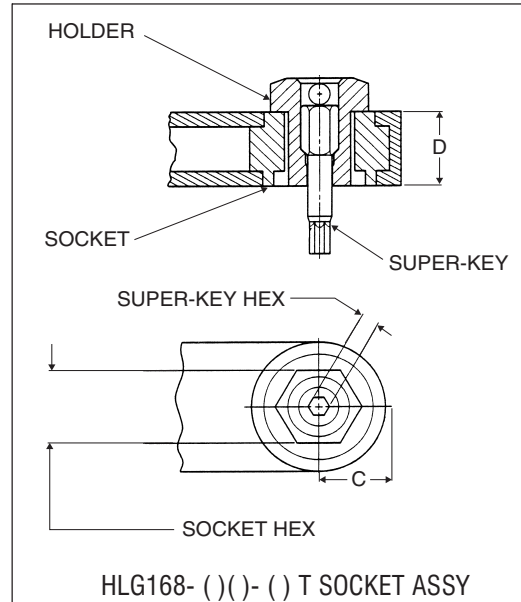
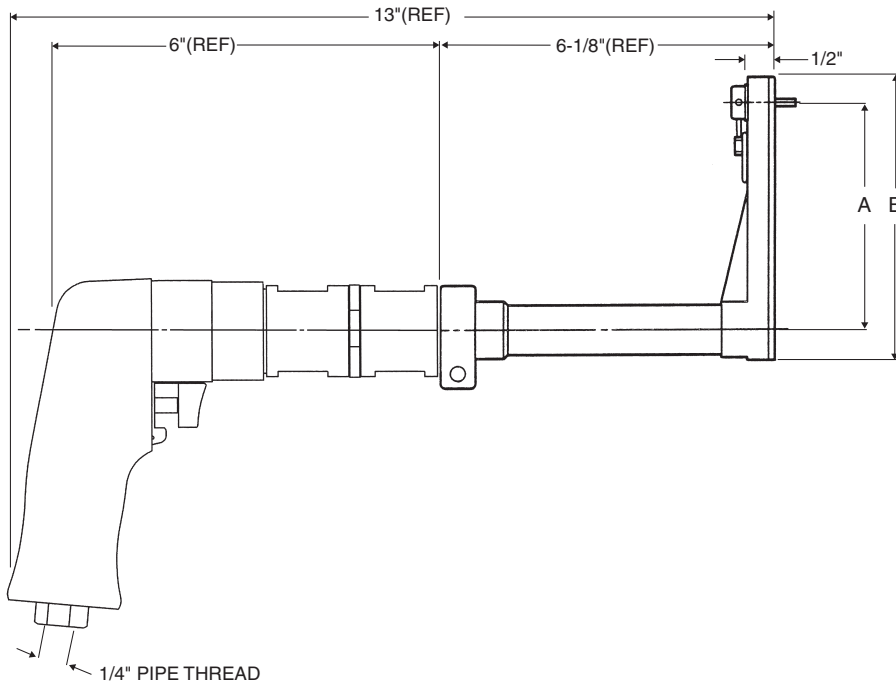


INSTALLATION TOOLING SUPER HLA1097

**4 Inch Offset Driver Assembly
with Flush Socket
and Super-Key™ (T-Series)**



DRIVER BASIC PART NO.
HLA1097 - 312 -078 T
 Example: complete driver assy. part no.

SOCKET HEX REF. TABLE 1
 SUPER-KEY HEX REF. TABLE 1
 SUPER-KEY HEX REF. TABLE 1

ORDERING INFORMATION

1. Match pin and collar hexes with Super Key Hex and Socket Hex.
2. See table 1 for Complete Driver Assy Part No.

TECHNICAL DATA

Operating Pressure	90 PSIA	Horsepower Rating	0.70
MAX. TORQUE RATING	300 in. lb	Air Consumption	22 SCFM
(Motor)	@90 PSIA	Weight	3.8 lb
Socket Speed	250 RPM		

TABLE 1

COLLAR DRIVING HEX (Matches Socket Hex)	PIN RECESS HEX (Matches Super-Key Hex)	COMPLETE DRIVER ASSY.	OFFSET ADAPTOR & SOCKET ASSY.
3/16	1/16	HLA1097-187-062T	HLG168-187-062T
7/32		HLA1097-218-062T	HLG168-218-062T
1/4		HLA1097-250-062T	HLG168-250-062T
9/32		HLA1097-281-062T	HLG168-281-062T
5/16		HLA1097-312-062T	HLG168-312-062T
11/32		HLA1097-343-062T	HLG168-343-062T
7/32	5/64	HLA1097-218-078T	HLG168-218-078T
1/4		HLA1097-250-078T	HLG168-250-078T
9/32		HLA1097-281-078T	HLG168-281-078T
5/16		HLA1097-312-078T	HLG168-312-078T
11/32		HLA1097-343-078T	HLG168-343-078T
3/8		HLA1097-375-078T	HLG168-375-078T
5/16	3/32	HLA1097-312-094T	HLG168-312-094T
11/32		HLA1097-343-094T	HLG168-343-094T
3/8		HLA1097-375-094T	HLG168-375-094T
7/16		HLA1097-437-094T	HLG168-437-094T
3/8		HLA1097-375-125T	HLG168-375-125T
7/16		HLA1097-437-125T	HLG168-437-125T

COLLAR Hex Size	A C to C	B OVERALL	C EDGE DISTANCE	D WIDTH
up to 11/32	4.470	5.502	0.450	0.500
3/8 and up	4.512	5.594	0.500	0.500

**SUPER HLA1097
4" OFFSET DRIVER ASSEMBLY w/Flush Socket & Super-Key™ (T-series)**



HLG168

4 inch Offset Adaptor Assembly with Flush Socket and Super-Key™ (T-Series)

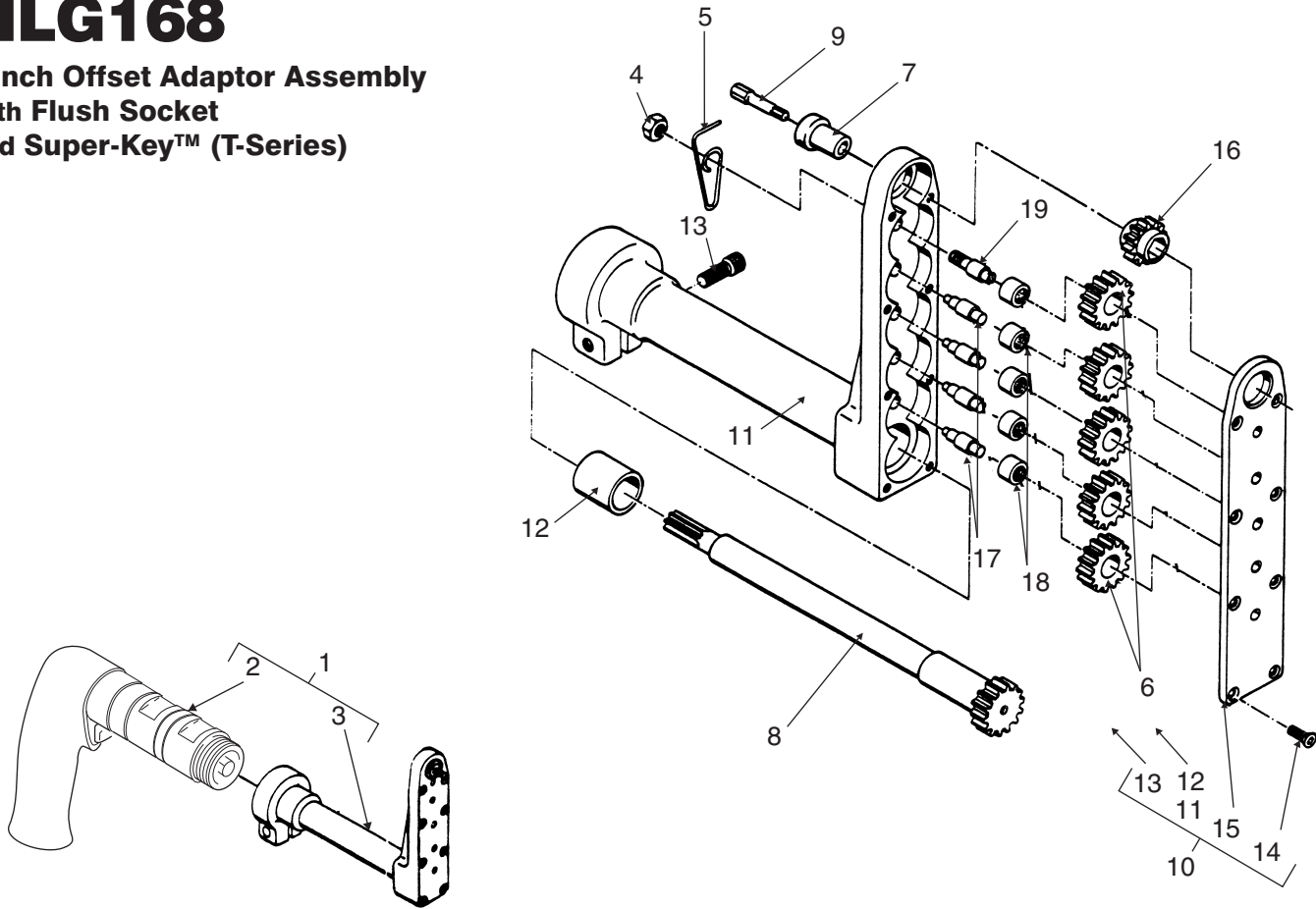


TABLE 2

ITEM	PART NO.	DESCRIPTION	QTY
1	HLA1097-()-()T	Tool assy., complete	1
2	HLB1174-003	. Air motor assy.	1
3	HLG168-()-()T	. Offset adaptor and socket assy.	1
4	AN364-632C	.. Nut, hex	1
5	HLB213-8 (-10 for .375 and .437)	.. Spring, ejector	1
6	HLB106-11	.. Gear, intermediate	5
7	HLB1484-()	.. Holder	1
8	HLB103-5	.. Gear, drive	1
9	HLT140K-() Table 3	.. Super-Key	1
10	HLB219-5 (-7 for .375 and .437)	.. Housing assy., complete	1
11	HLB220-5 (-7 for .375 and .437)	... Housing sub-assy.	1
12	B810-5	... Bushing (Boston Gear)	1
13	1/4-28 x 5/8 lg.	... Capscrew, socket head	1
14	6-32 x 3/8 lg.	... Screw, countersunk, flat head-82°	8
15	HLB177-5 (-7 for .375 and .437)	... Plate, cover	1
16	HLB1574-() Table 2	.. Socket	1
17	HLB159	.. Shaft, intermediate, no. 1	4
18	B34	.. Bearing (Torrington)	5
19	HLB105	.. Shaft, intermediate, no. 2	1

SOCKET	
HEX SIZE (Matches Collar Driving Hex)	PART NO.
3/16	HLB1574-187
7/32	HLB1574-218
1/4	HLB1574-250
9/32	HLB1574-281
5/16	HLB1574-312
11/32	HLB1574-343
3/8	HLB1574-375
7/16	HLB1574-437

TABLE 3

SUPER-KEY	
HEX SIZE (Matches Pin Recess Hex)	PART NO.
1/16	HLT140K-062
5/64	HLT140K-078
3/32	HLT140K-094
1/8	HLT140K-125

HS TOOLING

14083 S. Normandie Ave, Gardena CA 90249 USA
800.482.4167 • fax 310.464.8545

HLG168

4 INCH OFFSET ADAPTOR ASSEMBLY with Flush Socket and Super-Key™ (T-Series)